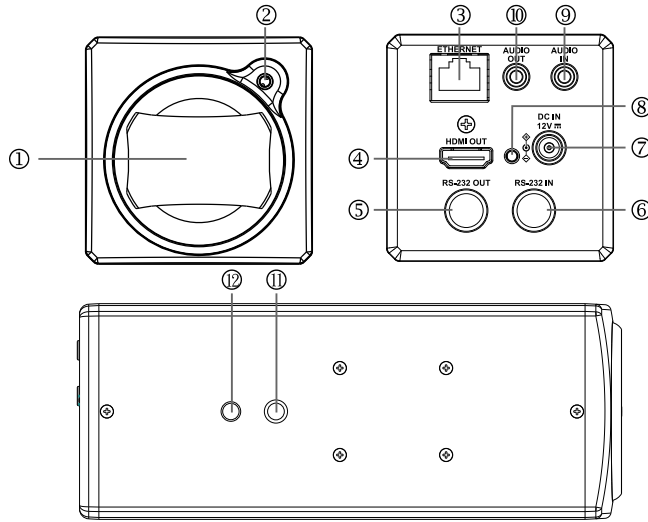


VC-BC701P Quick Installation Guide

1. Product Introduction

1. Lens
2. Tally indicator light
3. Network port
(IEEE 802.3af PoE power supply support)
4. HDMI output
5. RS232 output
6. RS232 input
7. DC12V power connector
8. Power indicator light
9. Audio input
10. Audio output
11. Tripod screw holes
(1/4", 20UNC)
12. Fiducial hole
(Ø5; depth 2mm)

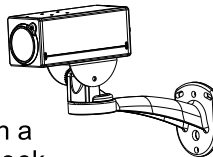


2. Installing Camera

2.1 Wall mount (optional): The camera is mounted on the wall using the Lumens VC-WM11 wall mount



2.2 Tripod (optional): The camera is mounted on a 1/4", 20 UNC PTZ tripod deck



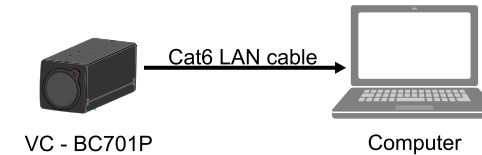
3. Cautions for Connection

- 3.1 Power supply
 - 3.1.1 Use the accessory DC12V power adapter for power supply
 - 3.1.2 Use a router or hub (IEEE 802.3 af) that supports power over Ethernet (PoE)
- 3.2 HDMI output
 - 3.2.1 The factory output resolution of VC-BC701P is 4K. Please make sure that the connected display device supports 4K resolution

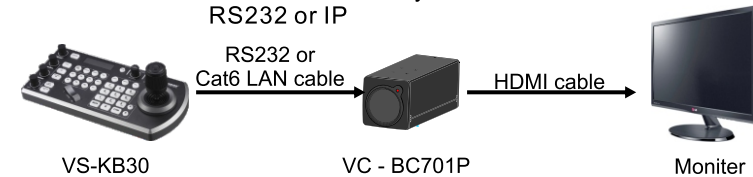
4. Single-camera Connection

4.1 Description for connecting a single camera

4.1.1 IP output: Use the network cables to connect to the computer; output the screen through IP; and control VC-BC701P



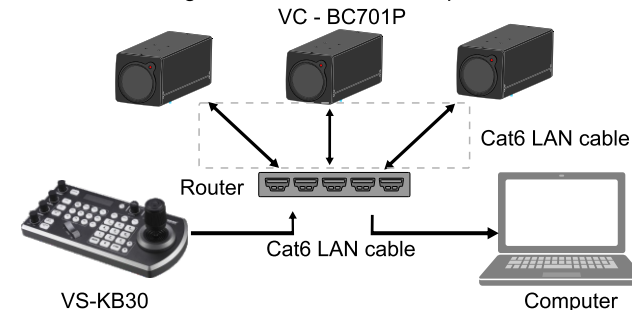
4.1.2 HDMI output: Use HDMI to connect to the screen for viewing the images; use the control keyboard to control VC-BC701P through RS232 or IP



5. Multi-camera Connection

5.1 Description for connecting multiple cameras

5.1.1 Connect multiple units of VC-BC701P, the control keyboard and the computer to the same router; use the control keyboard to control VC-BC701P through IP; and use the computer to view the images



6. Start Using

- 6.1 Open the browser, and enter the URL of VC-BC701P in the address bar.
Default IP address: 192.168.100.100
- 6.2 Input the administrator account and password to start viewing the camera images and to control the camera
Account: admin
Password: 9999